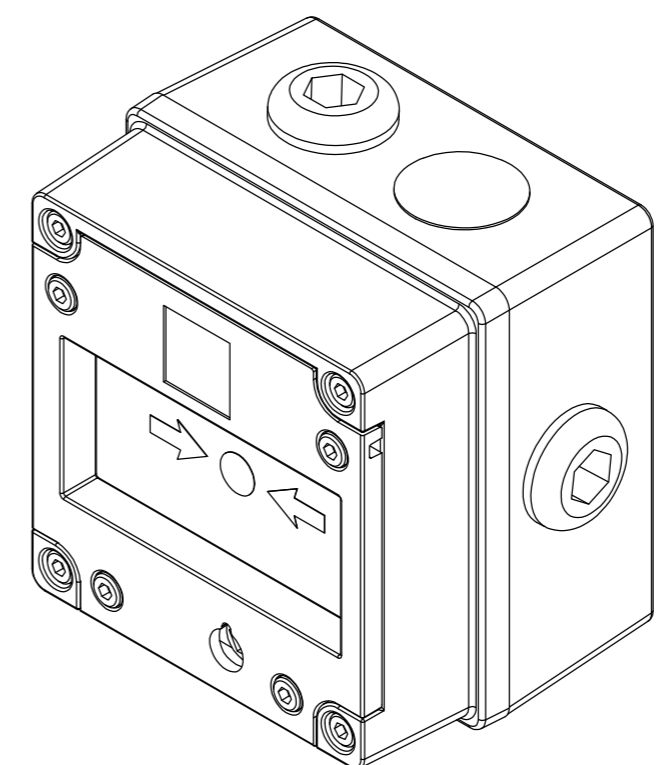
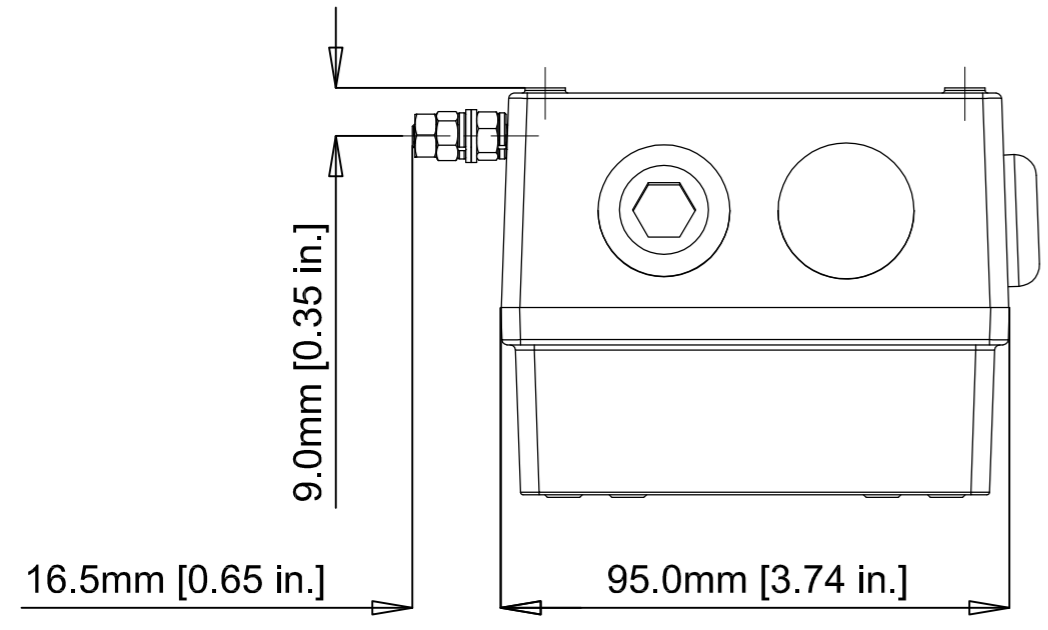
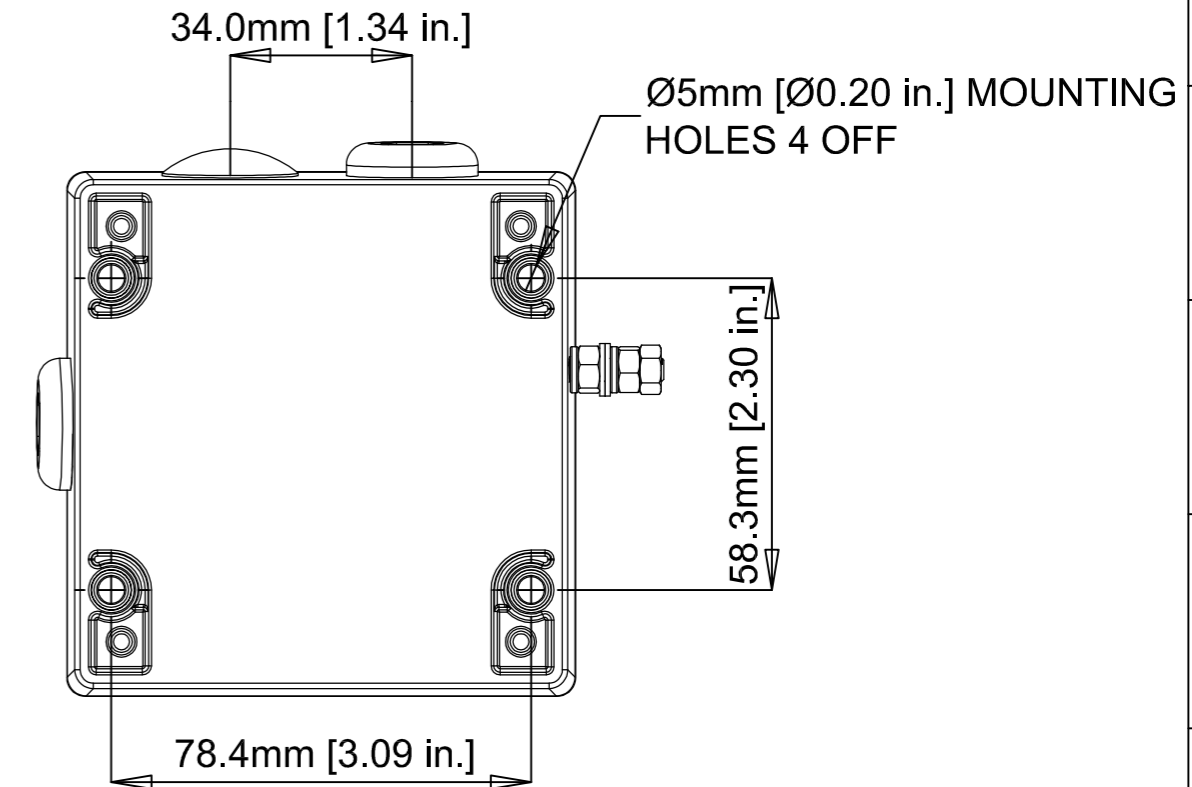
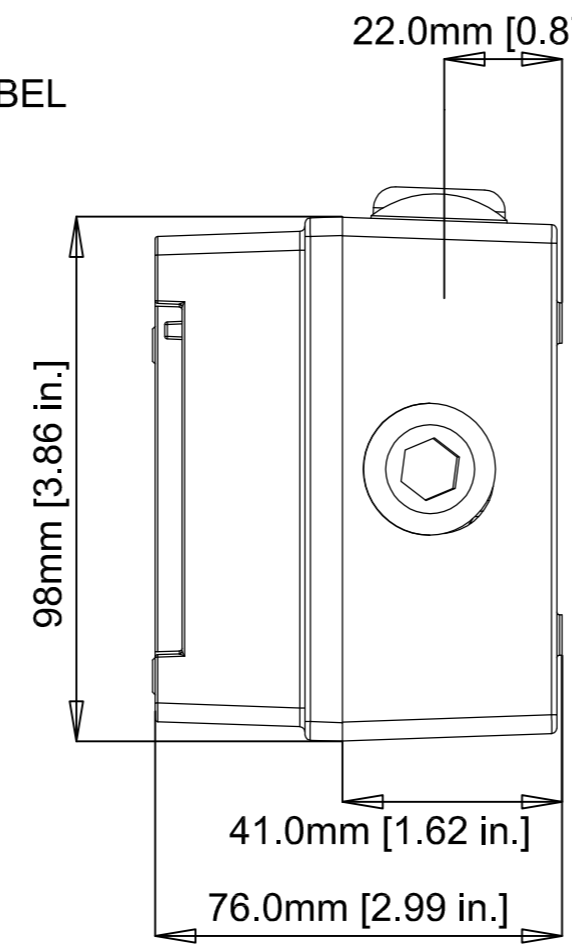
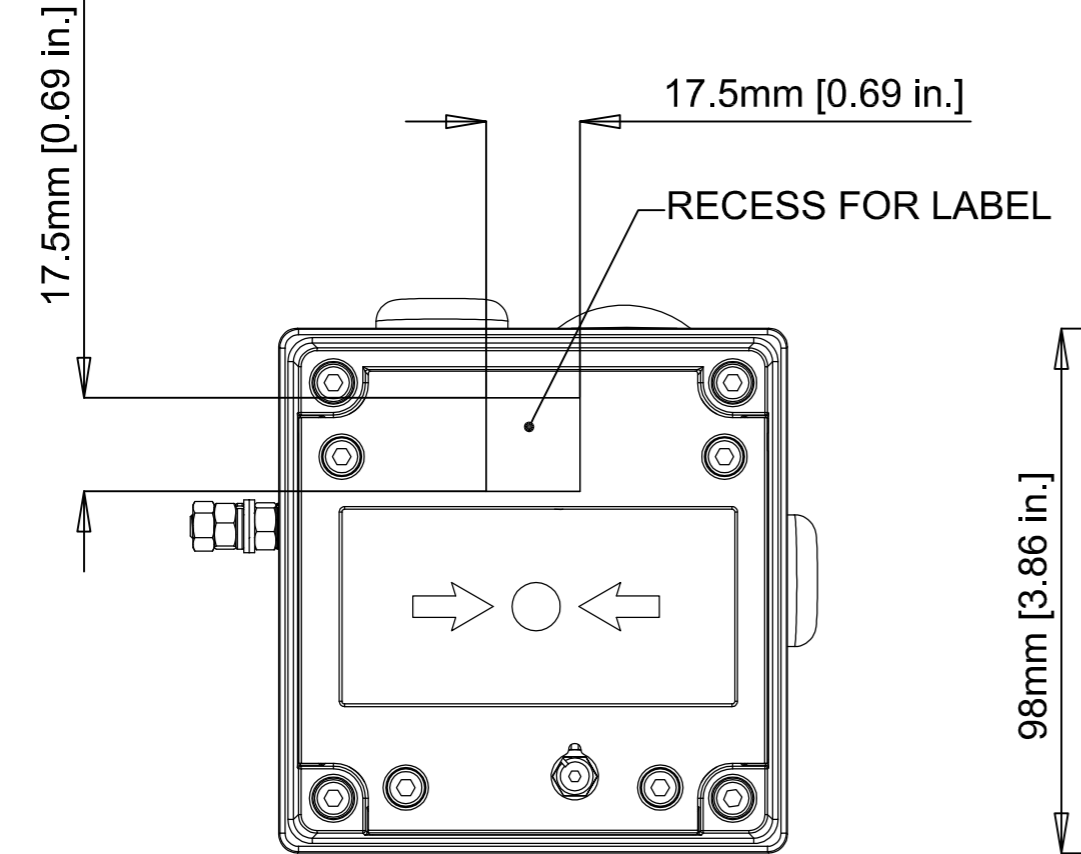


ISSUE	MOD No.	REASON - INITIAL - DATE
A		INTRODUCTION OF PART RNP 03-09-09
B		CALL POINT CONFIGURED WITH ENTRIES AT TOP. DIMS ADDED FOR CABLE ENTRY POINTS AND RECESS RNP 03-09-09
C		UPDATE TO DUAL DIMS. RSR 26-06-13



ISOMETRIC VIEW



E2S PART NO.	DESCRIPTION	DATA REFERENCE
BExCP3-BG	BExCP3A-BG/BExCP3B-BG BREAK GLASS CALL POINT	1.24.070
IS-CP4-BG	IS-CP4A-BG/IS-CP4B-BG BREAK GLASS CALL POINT	1.14.010

WHERE APPLICABLE '-UL' VERSIONS ARE COVERED BY THIS OUTLINE DRAWING.

DRAWING TO BS8888:2000 GEOMETRIC TOLERANCES TO ISO1101:1983 LINEAR DIMENSIONAL TOLS ANGULAR DIMENSIONAL TOLS	DRAWN R.N.POTTS	DATE 03:09:09	SURFACE FINISH FINISH	WEIGHT (Kg)	THIS DRAWING AND ANY INFORMATION OR DESCRIPTIVE MATTER THEREIN IS COMMUNICATED IN CONFIDENCE AND IS THE COPYRIGHT PROPERTY OF EUROPEAN SAFETY SYSTEMS LTD. NEITHER THE WHOLE OR ANY EXTRACT MAY BE DISCLOSED, LOANED, COPIED OR USED FOR MANUFACTURING OR TENDERING PURPOSES WITHOUT THEIR WRITTEN CONSENT.  EUROPEAN SAFETY SYSTEMS LTD. AS PER LATEST DATE OF ISSUE SHOWN ABOVE	 EUROPEAN SAFETY SYSTEMS LTD IMPRESS HOUSE MANSELL ROAD ACTON LONDON W3 7QH WWW.E2S.COM	ALL DIMENSIONS IN MM IF IN DOUBT, ASK - DO NOT SCALE	 A2	
	CHECKED R.N.POTTS	DATE 03:09:09	MATERIAL SEE ITEM LIST						
	STANDARDS BExCP4 CALL POINTS	APPROVED R.N.POTTS	DATE 03:09:09	ALTERNATIVE MATERIAL					
						TITLE CP3A/B-BG CALL POINT OUTLINE DRAWING	SCALE 1:1	SHEET 1 OF 1	DRAWING NUMBER SK0130