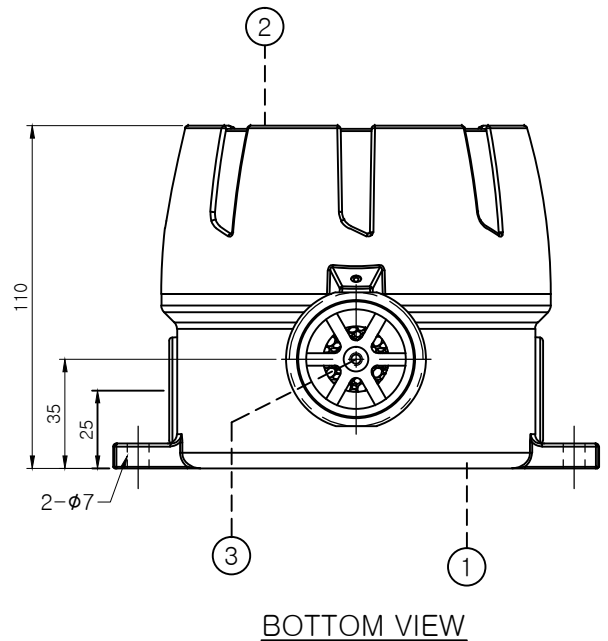
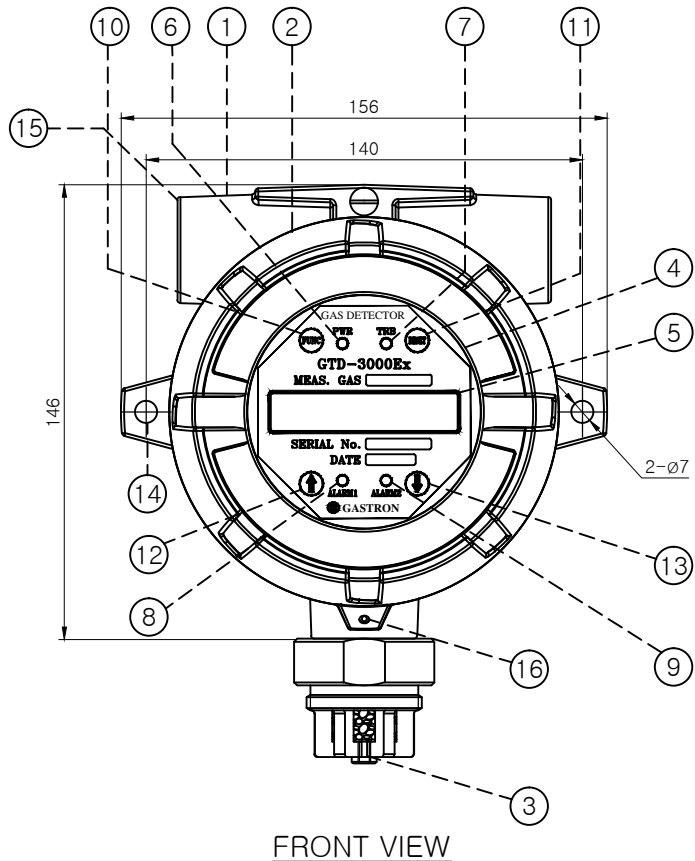


LOCAL COMBUSTIBLE GAS DETECTOR (GTD-3000Ex) LAYOUT & DIMENSIONAL DWG.



BILL OF MATERIAL				
No.	DESCRIPTION	MAT'L	Q'TY	REM'K
1	BODY CASE	ALDC	1	
2	HOUSING COVER	ALDC	1	
3	SENSOR HEAD	SUS 316	1	
4	DISPLAY WINDOW	HI GL	1	95mm/8.0
5	LCD DISPLAY		1	20 DIGIT
6	POWER LAMP	LED	1	GREEN
7	TROUBLE LAMP	LED	1	YELLOW
8	ALARM1 LAMP	LED	1	RED
9	ALARM2 LAMP	LED	1	RED
10	FUNCTION KEY		1	MAGNET
11	RESET KEY		1	MAGNET
12	SETTING KEY (▲)		1	MAGNET
13	SETTING KEY (▼)		1	MAGNET
14	MOUNT HOLE		1	6 mm
15	CABLE INLET		1	3/4" PF
16	LENCH BOLE	SUS 304	1	M5-5mm
17				
18				

GENERAL NOTES

- MODEL: GTD-3000Ex
- FUNCTION: LOCAL DISPLAY TRANSMITTER TYPE
- TYPE: DIFFUSION TYPE
- ENCLOSURE: Ex d IIC T6(KCs)
- DETECTABLE GAS : Combustible GAS
- MEAS. METHOD: CATALYTIC CELL TYPE
- MEAS. VALUE DISPLAY: 2-LINE LCD DISPLAY
- MEAS. RANGE: 0-100% LEL
- MEAS. SIGNAL: 4-20mA.DC/FS
- CALIBRATION: AUTOMATIC BY MAGNET & NO OUTPUT DURING CABRATION
- RESPONSE TIME: 15 SEC/90% SCALE
- ZERO DRIFT: 3%-FS/YEAR
- OPERATION TEMP.: -20 TO 50 deg.C
- OPERATION HUMIDITY: 5 TO 99% RH
- OPERATION POWER: 18-31V.DC / 200mA MAX
- SIGNAL CABLE TYPE: CVVS & B 1.25SQ*3C
- CABLE CONNECTION LENGTH: MAX. 2500M

REV.	DESCRIPTION	DATE	REV'D	CHECKED	APP'D

GASTRON CO.,LTD.
(Manufacture/Ansan,Korea)

PROJ. NO	
ITEM NAME	
DRAWING NAME	LOCAL COMBUSTIBLE GAS DETECTOR (GTD-3000Ex) LAYOUT & DIMENSIONAL DWG.
PROJECT DOC. NO.	REV.