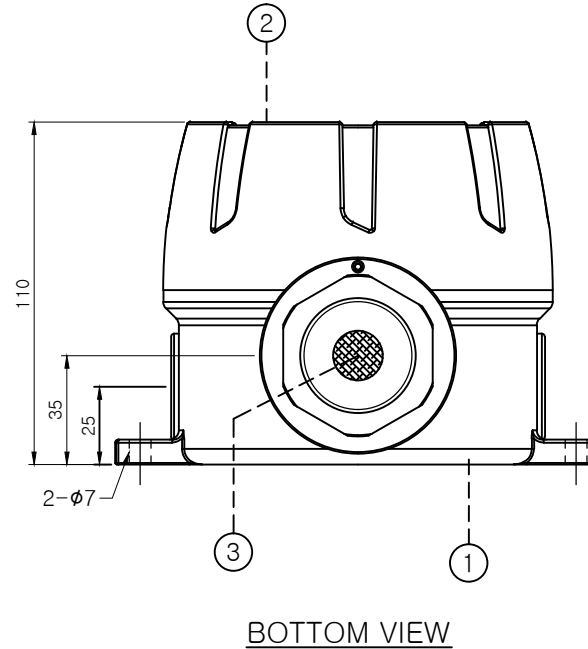
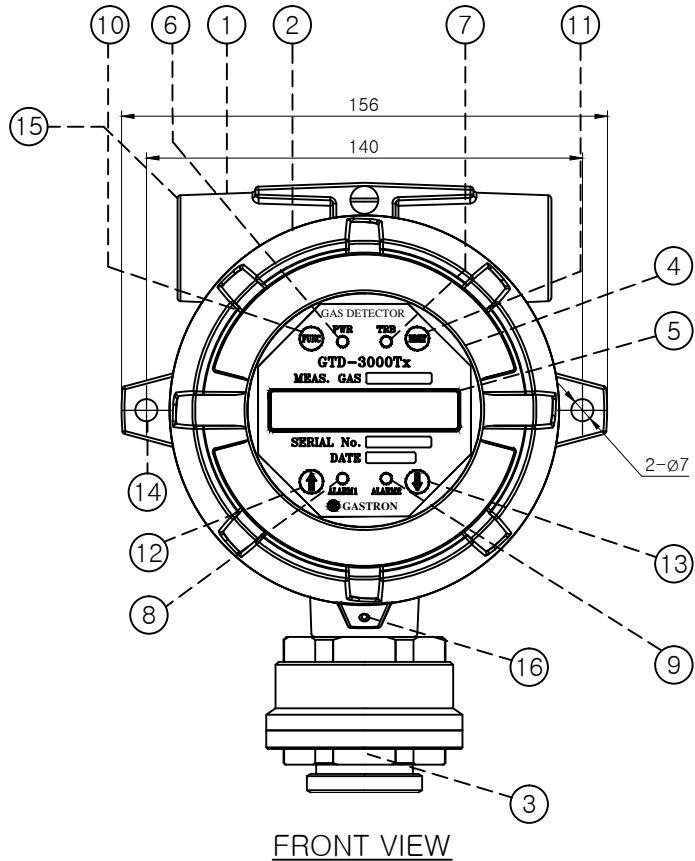


LOCAL TOXIC GAS DETECTOR (GTD-3000Tx) LAYOUT & DIMENSIONAL DWG.



BILL OF MATERIAL				
No.	DESCRIPTION	MAT'L	Q'TY	REM'K
1	BODY CASE	ALDC	1	
2	HOUSING COVER	ALDC	1	
3	SENSOR HEAD	SUS 316	1	
4	DISPLAY WINDOW	HI GL	1	95mm/8.0
5	LCD DISPLAY		1	20 DIGIT
6	POWER LAMP	LED	1	GREEN
7	TROUBLE LAMP	LED	1	YELLOW
8	ALARM1 LAMP	LED	1	RED
9	ALARM2 LAMP	LED	1	RED
10	FUNCTION KEY		1	MAGNET
11	RESET KEY		1	MAGNET
12	SETTING KEY (↖)		1	MAGNET
13	SETTING KEY (↘)		1	MAGNET
14	MOUNT HOLE		1	6 mm
15	CABLE INLET		1	3/4" PF
16	LENCH BOLE	SUS 304	1	M5-5mm
17				
18				

- GENERAL NOTES**
- MODEL: GTD-3000Tx
 - FUNCTION: LOCAL DISPLAY TRANSMITTER TYPE
 - TYPE: DIFFUSION TYPE
 - ENCLOSURE: Ex d IIC T6 (Kcs) / Ex d IIC T6 Gb (NEPSI)
 - DETECTABLE GAS : TOXIC
 - MEAS. METHOD: ELECTRO-CHEMICAL CELL TYPE
 - MEAS. VALUE DISPLAY: 2-LINE LCD DISPLAY
 - MEAS. RANGE: PPM
 - MEAS. SIGNAL: 4-20mA.DC/FS , RS-485 MODBUS
 - CALIBRATION: AUTOMATIC BY MAGNET & NO OUTPUT DURING CABRATION
 - RESPONSE TIME: 45 SEC/90% SCALE
 - ZERO DRIFT: 3%-FS/YEAR
 - OPERATION TEMP.: -20 TO 50 deg.C
 - OPERATION HUMIDITY: 5 TO 99% RH
 - OPERATION POWER: 18-31V.DC / 200mA MAX
 - SIGANL CABLE TYPE: CVVS & B 1.5SQ*3C
 - CABLE CONNECTION LENGTH: MAX. 2500M

REV.	DESCRIPTION	DATE	REV'D	CHECKED	APP'D

GASTRON CO.,LTD.
(Manufacture/Ansan,Korea)

PROJ. NO	
ITEM NAME	GAS DETECTION & MONITORING SYSTEM
DRAWING NAME	LOCAL TOXIC GAS DETECTOR (GTD-3000Tx) LAYOUT & DIMENSIONAL DWG.
PROJECT DOC. NO.	REV. △