

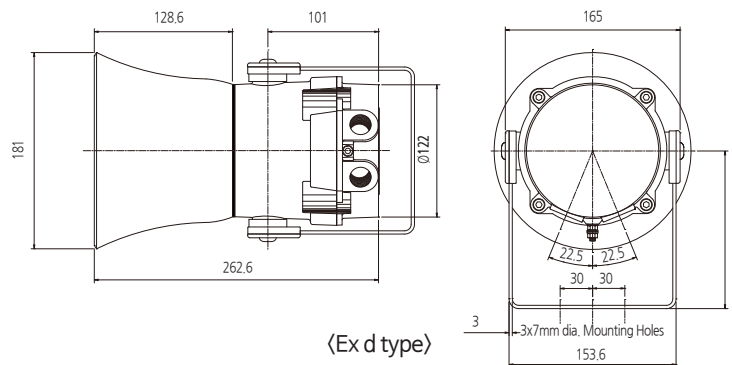
Flame Proof Type Sounder - Effective range 100M

BExS110 / BExDS110

Feature

- ▷ Automatic synchronisation on multi-sounder system.
- ▷ Very large termination area.
- ▷ Ratchet adjustable stainless steel 'U' bracket.
- ▷ IN & OUT terminals (Ex de version only).
- ▷ 'Programmable' version available:
 - 45 alarm tones
 - 4 remotely selectable stages
 - Any tone can be assigned to Any stage
 - User configurable continuous frequency tone

Dimension (Unit:mm)



BExS110



BExDS110



Combination

Specification

Maximum output	117dB(A) @ 1 metre
Nominal output	110dB(A) @ 1m +/- 3dB - Tone 2
No. of tones	32 (UKOOA / PFEER compliant)
No. of stages	3
Volume control	Max. 110dB(A) / Min. 72dB(A) - Tone 2
Effective range	100m @ 1KHz
Voltages DC	12VDC; 24VDC; 48VDC
Voltages AC	115VAC; 230VAC
Stage switching	Negative or positive
Ingress protection	S110D: IP66/67, S110E: IP66
Housing material	Marine grade copper free LM6 Aluminium
Housing finish	Phosphated & powder coated finish : anti-corrosion
Colour	RAL3000 Red (others available on request)
BExS110 flare	High impact UL94 V0 & 5VA FR ABS (Red)
BExDS110 flare	Anti-Static High impact ABS (Black)
Cable entries	Dual M20 ISO(one stopping plug inc)
Terminals	0.5 to 4.0mm ² cables.
Line monitoring	Min. 500 Ohm 2w, or 3k3 Ohm 0.5w res. or diode within Exd enclosure (dc versions).
Weight	DC: 3.00kg / AC: 3.20kg

*SPL data +/-3dB(A). Measured at optimum voltage

Part codes

PART CODE	CLASSIFICATION
BExS110D**	<p>ATEX / IECEx II 2G Ex d IIB T4 Ta. -50°C to +70°C II 2G Ex d IIC T4 Ta. -50°C to +55°C</p> <p>GOST-R 1ExdIICT4 Ta. -50°C to +55°C</p>
BExS110E**	<p>ATEX / IECEx II 2G Ex de IIB T4 Ta. -50°C to +70°C II 2G Ex de IIC T4 Ta. -50°C to +55°C</p> <p>GOST-R 2ExdellCT4 Ta. -50°C to +55°C</p>
BExDS110D**	<p>ATEX / IECEx II 2G Ex d IIB T4 Ta. -50°C to +70°C II 2G Ex d IIC T4 Ta. -50°C to +55°C II 2D Ex tD A21 IP67 T115 based on a max. Ta. of 70°C</p> <p>GOST-R 1ExdIICT4 Ta. -50°C to +55°C T100°C DIP A21 Ta T4</p>
BExS110E**	<p>ATEX / IECEx II 2G Ex de IIB T4 Ta. -50°C to +70°C II 2G Ex de IIC T4 Ta. -50°C to +55°C II 2D Ex tD A21 IP66 T115 based on a max. Ta. of 70°C</p> <p>GOST-R 2ExdellCT4 Ta. -50°C to +55°C DIP A21 Ta T4</p>
** = Voltage & lens colour reference:	
Voltage options	12DC, 24DC, 48DC, 115AC, 230AC
Add 'P' to part number for Programmable version	
Add 'M' to part number for MED approved version (24V dc only)	

Current consumption

Version	Voltage (Current)
12V dc	±25% (195mA)
24V dc	±25% (265mA)
48V dc	±25% (130mA)
115V ac 50Hz/60Hz	±10% (110mA)
230V ac 50Hz/60Hz	±10% (56mA)