

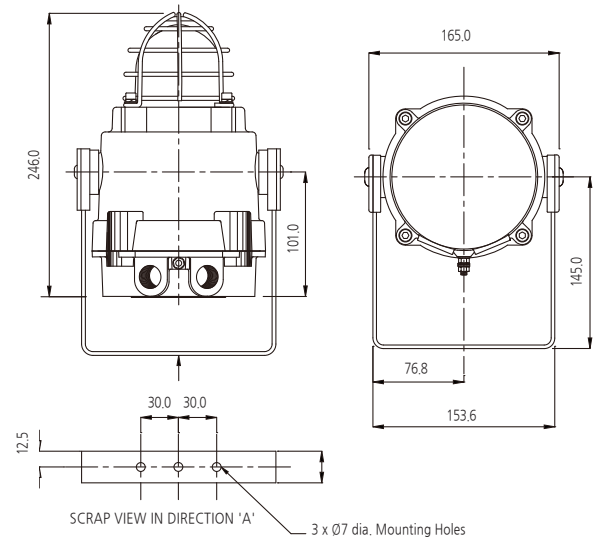
Flame Proof Type Xenon Beacon 5 Joule

BExBG05

Feature

- ▷ Automatic synchronisation on multi-beacon system.
- ▷ Beacons can be set to 'flip-flop' alternating mode with other units on multi-beacon systems.
- ▷ Xenon tubes mechanically secured against shock & vibration
- ▷ Glass lens & Stainless Steel guard
- ▷ Very large termination area.
- ▷ Ratchet adjustable stainless steel 'U' bracket.
- ▷ IN & OUT terminals (Ex de version only)

Dimension (Unit:mm)



(Ex d type)



Combination



Specification

Energy	5 Joules (5Ws)
Flash rate	1Hz (60 fpm)
Peak candela	500,000 cd - calculated from energy (I)
Effective intensity cd	250 cd - calculated from energy (I)
Peak candela	34,812 cd* - measured ref. to I.E.S.
Effective intensity cd	105 cd* - measured ref. to I.E.S.
Lens colours	Amber, Blue, Clear, Green, Red & Yellow
Voltages DC	12VDC; 24VDC; 48VDC
Voltages AC	115VAC; 230VAC
Ingress protection	BG05D : IP66/67, BG05E : IP66
Housing material	Marine grade copper free LM6 Aluminium
Housing finish	Phosphated & powder coated finish : anti-corrosion
Colour	RAL3000 Red (others available on request)
Cable entries	Dual M20 ISO (one stopping plug inc)
Terminals	0,5 to 4,0mm ² cables.
Line monitoring	Min, 500 Ohm 2w, or 3k3 Ohm 0,5w res. or diode within Exd enclosure (dc versions)
Tube life	Emissions are reduced to 70% after 8 million flashes
Weight	DC: 2.45kg / AC: 2.75kg
*All candela data is representative of performance with clear lens at optimum voltage.	

Part codes

PART CODE	CLASSIFICATION
BExBG05D**	<p>ATEX / IECEx II 2G Ex d IIC T4 Ta, -50°C to +70°C II 2G Ex d IIC T5 Ta, -50°C to +55°C II 2G Ex d IIC T6 Ta, -50°C to +40°C II 2D Ex tD A21 IP67 T115°C based on max. Ta, 70°C</p> <p>GOST-R 1ExdIICT4 Ta, -50° to +55°C DIP A21 Ta T4</p>
BExBG05E**	<p>ATEX / IECEx II 2G Ex de IIC T4 Ta, -50°C to +70°C II 2G Ex de IIC T5 Ta, -50°C to +55°C II 2G Ex de IIC T6 Ta, -50°C to +40°C II 2D Ex tD A21 IP66 T115°C based on max. Ta, 70°C</p> <p>GOST-R 2ExdeIICT4 Ta, -50°C to +55°C DIP A21 Ta T4</p>
** = Voltage & lens colour reference	
Voltage options	12DC, 24DC, 48DC, 115AC, 230AC
Lens colour options	AM (Amber) , BL (Blue), CL (Clear) , GN (Green) , RD (Red) , YW (Yellow)
e.g: BExBG05D115AC-AM	

Current consumption

Version	Voltage	(Current)
12V dc	10-14V dc	(750mA)
24V dc	20-28V dc	(300mA)
48V dc	42-54V dc	(180mA)
115V ac 50Hz/60Hz	±10%	(140mA)
230V ac 50Hz/60Hz	±10%	(55mA)

Effective Candela lens colour factor

Amber	Blue	Clear	Green	Red	Yellow
0,51	0,12	1,00	0,49	0,15	0,86