

Flame Proof Type Sounder & Beacon Combination

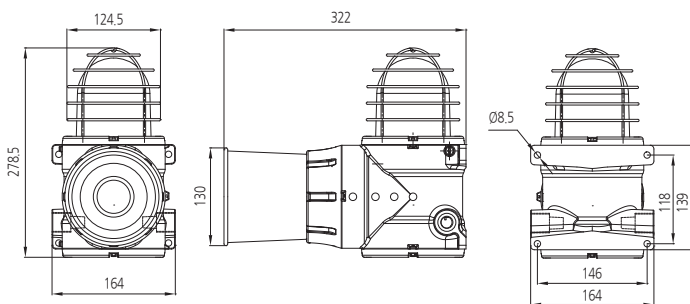
GTL - 200 Series

Feature

- ▷ Combined Explosion-proof Sounder & Beacon using LED Light sources
- ▷ Excellence of high effect of signal light radiation using our unique lens type luminescence system
- ▷ Available of sound types & volume control with internal switch
- ▷ Available in controlling the rotation speed of reflector
- ▷ Available in various colors (Red, Yellow, Green, Blue)
- ▷ Max Output : 120 dB
- ▷ Available in setting options depend on field condition



외형도



Specification

ITEM	GTL-200 SERIES SPECIFICATION
Product Type	LED Lens / Rotating Reflection Body : ALDC12, Reflector : heat-resistant ABS Lamp Lens : heat-resistant PC, GLASS : Explosion-proof Tempered glass, Protection case-SS316L
Material	
Sounder out put	MAX 120 dB
LED Color	Green, Red, Yellow, Blue (Choose 1)
Power Supply	AC110 / 220V 50~60Hz DC12~48V
Power Consumption	AC110V=0.327A / 220V = 0.163A MAX DC12V = 3.0A / DC24V=1.5A / DC48V = 0.75A MAX
Operation Temp.	T6=-40 to 60°C / T5,T4=-40 to 70°C
Operation Humidity	0 to 95% RH (Non-condensing)
Conduct Connection	1/2" or 3/4" PF, NPT(3/4" PF standard feature)
Dimensions	164(W) X 278.5(H) X 322(177)(D) mm
Weight	App. 6.2kg
Approval	Explosion proof type (Ex d IIC T4,T5,T6) KCs / IP66



GTL-200B/ Flame-Proof Sounder

Specification

ITEM	SERIES SPECIFICATION
Product Type	Signal Phone
Material	Body - ALDC12, Flame Arrester - SS316L
Max	MAX 120 dB
Power Supply	AC110 / 220V 50~60Hz DC12~48V
Power Consumption	AC110V=0.218A/220V=0.109A Max DC12V= 2.0A / DC24V=1A / DC48V=0.5 AMax
Operation Temp.	T6=-40 to 60°C / T5,T4=-40 to 70°C
Operation Humidity	0 to 95% RH (Non-condensing)
Conduct Connection	1/2" or 3/4" PF, NPT(3/4"PF standard feature)
Dimensions	164(W) X 139(H) X 322(177)(D) mm
Weight	App. 5.0kg
Approval	Explosion proof type (Ex d IIC T4,T5,T6) KCs / IP66 Explosion proof type(Exd T4,T5,T6) ATEX, IECEX, CE



GTL-200L/ Flame-Proof Warning Light

Specification

ITEM	SERIES SPECIFICATION
Product Type	LED Lens / Rotating Reflection
Material	Body : ALDC12, Reflector : heatresistant ABS Lamp Lens : heat-resistant PC, GLASS : Explosion-proof Tempered glass, Protection case - SS316L
LED Color	Green, Red, Yellow, Blue (Choose 1)
Power Supply	AC110 / 220V 50~60Hz DC12~48V
Power Consumption	AC110V=0.109A / 220V = 0.054A MAX DC12V = 1.0A / DC 24V=0.5A / DC48V = 0.25A MAX
Operation Temp.	T6=-40 to 60°C / T5,T4=-40 to 70°C
Operation Humidity	0 to 95% RH (Non-condensing)
Conduct Connection	1/2" or 3/4" PF, NPT(3/4"PF standard feature)
Dimensions	164(W) X 278.5(H) X177(D) mm
Weight	App. 5.0kg
Approval	Explosion proof type (Ex d IIC T4,T5,T6) KCs / IP66 Explosion proof type(Exd T4,T5,T6) ATEX, IECEX, CE



GTL-200BL/ Flame-Proof Combination

COMPOSITION TYPE	STRUCTURAL ELEMENTS
EX) TYPE - 1	Warning Light(RED) + Sounder
EX) TYPE - 2	Warning Light(RED) + Warning Light(BLUE)
EX) TYPE - 3	Warning Light(RED) + Warning Light(YELLOW) + Warning Light(BLUE)
EX) TYPE - 4	Warning Light(RED) + Warning Light(YELLOW) + Warning Light(BLUE) + Sounder Explosion proof type(Exd T4,T5,T6) ATEX, IECEX, CE